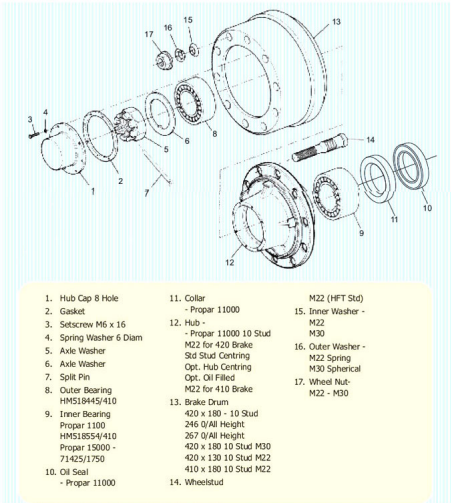
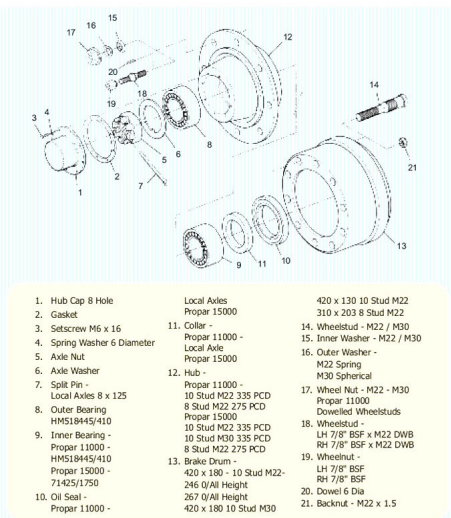


Propar 11000 / 15000 Outboard Mounted Brake Drums

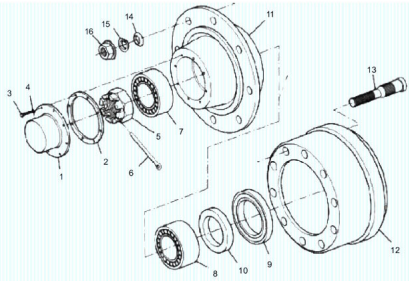


Propar 11000 / 15000 Inboard Mounted Brake Drums



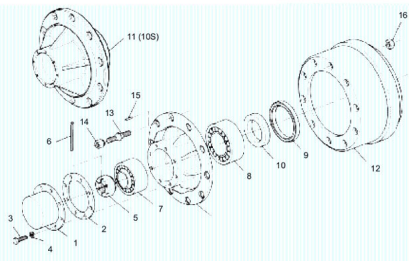
AXLE PARTS

SW 75 SQ, 92 SQ, 105, 112 SQ & 127 DIA. AXLE (3 5/8)



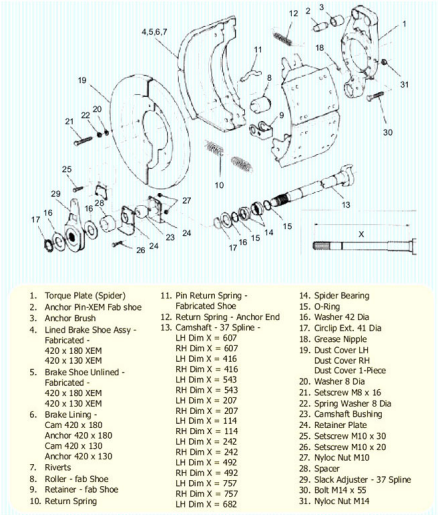
SQ Axle 10 Stud (Inboard Mounted Brake Drum)	75 SQ & 92 Axle 8 Stud (Inboard Mounted Brake Drum)	105/112 SQ & 127 DIA, Axle 10 Stud (Inboard Mounted Brake Drum)
1. Hub Cap 6 Hole	1. Hub Cap 6 Hole	1. Hub Cap 6 Hole
2. Gasket	2. Gasket	2. Gasket
3. Setscrew M6 x 16	3. Setscrew M6 x 16	3. Setscrew M6 x 16
4. Spring Washer 6 Dia	4. Spring Washer 6 Dia	4. Spring Washer 6 Dia
5. Axle Nut 1.5" BSP	5. Axle Nut 1.5" BSP	5. Axle Nut M8B
6. Split Pin 6 x 70	6. Split Pin 6 x 70	6. Split Pin 8 x 125
7. Outer Bearing 749/742	7. Outer Bearing 928/75 sq axle 32214	7. Outer Bearing HM518H45/410
8. Inner Bearing 749/742	8. Inner Bearing 928/75 sq axle 32214	8. Inner Bearing HM518H45/410
9. Oil Seal	9. Oil Seal 928/75 sq	9. Oil Seal
10. Collar	10. Collar (Abutment)- For 92 sq 75 Sq	10. Collar
11. Hub	11. Hub - For 92 sq 75 Sq	11. Hub
12. Brake Drum 395x150 10 Stud	12. Brake Drum 395x150 8 Stud M22 & 355 x 90 8 Stud M22	12. Brake Drum 420x180 10 Stud
13. Wheelstud M22	13. Wheelstud M22	13. Wheelstud M22
14. Inner Washer	14. Inner Washer	14. Inner Washer
15. Outer Spring Washer	15. Outer Spring Washer	15. Outer Spring Washer
16. Wheel Nut M22	16. Wheel Nut M22	16. Wheel Nut M22

HF 10MT, 10S & 8S AXLE

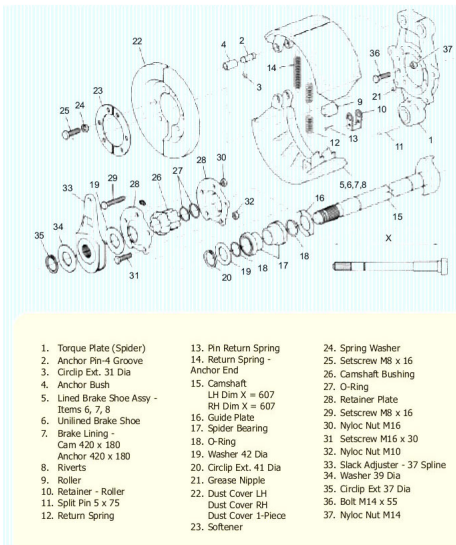


1. Hub Cap 10MT & 10 S-6 Hole	11. Hub - 10MT 10 Stud 10 MT 10 Stud York 105 10 Stud 335mm PCD, 225mm PCD	LH7/8" X M22 SWB RH7/8" X M22 SWB
2. Gasket - 10MT & 10S	12. Brake Drum - 420 x 180 - 10 Stud 395 x 180 - 10 Stud 395 x 150 - 8 Stud 395 x 130 - 10 Stud 355 x 90 - 8 Stud 310 x 140 - 10 Stud 225mm PCD	RH7/8" X M22 SWB RH M22 X M22 DWB LH7/8" X M20 DWB RH7/8" X M20 DNB LH7/8" X M20 SWB RH7/8" X M20 SWB LH7/8" X M20 SWB RH7/8" X M20 SWB
3. Setscrew M6 x 16	14. Wheelstud LH7/8" X M22 DWB RH7/8" X M22 DNB LH7/8" X M22 DNB	LH7/8" X M20 DNB RH7/8" X M20 DNB LH7/8" X M20 SWB RH7/8" X M20 SWB
4. Spring Washer 6 Dia	15. Inner Washer	LH7/8" X M20 DWB RH7/8" X M20 DNB LH7/8" X M20 SWB RH7/8" X M20 SWB
5. Axle Nut - 10MT M6x4, 10S M45 x3, 8S M36x3	16. Outer Spring Washer	LH7/8" X M20 DWB RH7/8" X M20 DNB LH7/8" X M20 SWB RH7/8" X M20 SWB
6. Split Pin - 10MT & 10S 8x90 8S 6 x 70	17. Wheel Nut - LH7/8" BSF RH7/8" BSF	LH7/8" X M20 DWB RH7/8" X M20 DNB LH7/8" X M20 SWB RH7/8" X M20 SWB
7. Outer Bearing - 10MT 211749/710, 10S 32311 8S 32308	20. Dowel 5mm / 6mm Diameter	LH7/8" X M22 DWB RH7/8" X M22 DWB LH7/8" X M22 DNB
8. Inner Bearing - 10MT 211922/48/210, 10S 32311, 8S 32308	21. Backnut - RH M22 x 2.5 RH M20 x 1.5	
9. Oil Seal - 10 MT & 10S 8S		
10. Oil Seal Collar - 10MT, 10S, 8S		

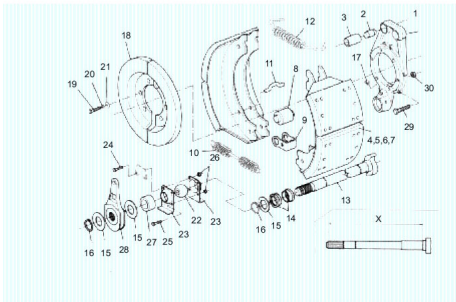
HF 420 BRAKE ASSEMBLY FABRICATED XEM SHOE



HF 420 x 180 BRAKE ASSEMBLY CAST SHOE

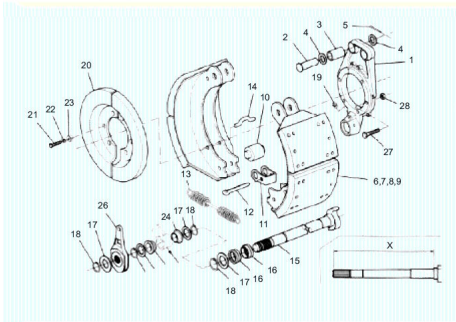


SW 420 X 180 BRAKE ASSEMBLY FABRICATED 'Q' TYPE SHOE



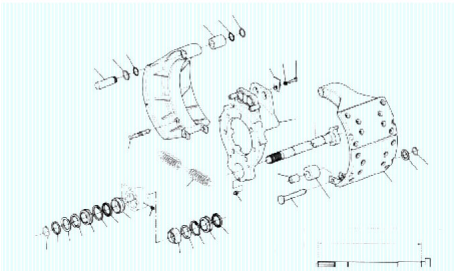
- | | | |
|---|--|--------------------------------|
| 1. Torque Plate (Spider) | 12. Return Spring - Anchor End | 23. Retainer Plate |
| 2. Anchor Pin | 13. Camshaft - 10 Spline -
LH Dim X = 646
RH Dim X = 646 | 24. Setscrew M10 x 30 |
| 3. Anchor Bush | 14. Spider Bearing | 25. Setscrew M10 x 20 |
| 4. Lined Brake Shoe Assy -
Items 5, 6, 7 | 15. Washer 38 Dia | 26. Nyloc Nut M16 |
| 5. Unlined Brake Shoe | 16. Circlip Ext. 38 Dia | 27. Spacer |
| 6. Brake Lining - Cam Anchor | 17. Grease Nipple | 28. Slack Adjuster - 10 Spline |
| 7. Rivets | 18. Dust Cover 1-Piece | 29. Hex Head Bolt M16 x 60 |
| 8. Roller | 19. Setscrew M6 x 16 | 30. Nyloc Nut M16 |
| 9. Retainer - Roller | 20. Washer Spring 6 Dia | |
| 10. Return Spring | 21. Washer Special 6 Dia | |
| 11. Pin - Return Spring | 22. Camshaft Bushing | |

SW 420 X 180 BRAKE ASSEMBLY FABRICATED 'P' TYPE SHOE



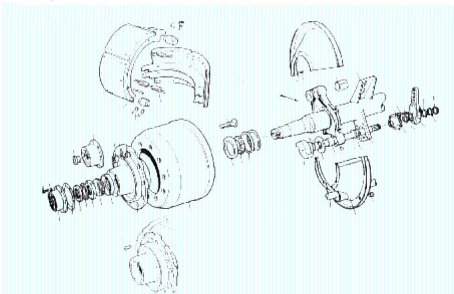
- | | | |
|---|--|--------------------------------|
| 1. Torque Plate (Spider) | 13. Return Spring | 24. Camshaft Bushing |
| 2. Anchor Pin | 14. Pin - Return Spring | 25. Grease Nipple |
| 3. Anchor Bush | 15. Camshaft - 10 Spline -
LH Dim X = 646
RH Dim X = 646 | 26. Slack Adjuster - 10 Spline |
| 4. Washer 32 Dia | 16. Spider Bearing | 27. Hex Head Bolt M16 x 60 |
| 5. Split Pin 4 x 40 | 17. Washer 38 Dia | 28. Nyloc Nut M16 |
| 6. Lined Brake Shoe Assy -
Items 7, 8, 9 | 18. Circlip Ext. 38 Dia | |
| 7. Unlined Brake Shoe | 19. Grease Nipple | |
| 8. Brake Lining - Cam Anchor | 20. Dust Cover 1-Piece | |
| 9. Rivet | 21. Setscrew M6 x 16 | |
| 10. Roller | 22. Washer Spring 6 Dia | |
| 11. Roller - Retainer | 23. Washer Special 6 Dia | |
| 12. Split Pin 5,7 x 90 | | |

HF 410 (M/BENZ) BRAKE ASSEMBLY



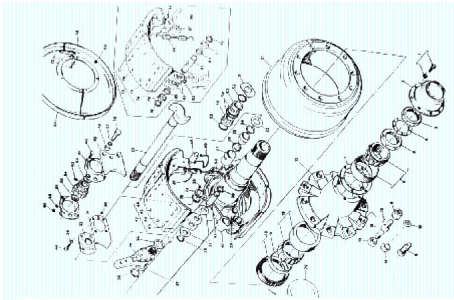
- | | | |
|------------------------------|--------------------------------|----------------------------|
| 1. Torque Plate (Spider) | 410 x 180 fab shoe | 21. Pin Return Spring |
| 2. Anchor Pin | 410 x 160 | 22. Camshaft - 26 Spline - |
| 3. Lock Plate | 410 x 180 | LH Dim X = 500 |
| 4. Setscrew M10 x 20 | | RH Dim X = 500 |
| 5. Lock Washer | 10. Rivets | 23. Grease Nipple |
| 6. Lined Brake Shoe Assy - | 11. Anchor Bush | 24. Oil Seal |
| Items 8, 9, 10, 11, 12, 13, | 12. O-Ring | 25. Spherical Bearing |
| 14, 17, 18, 19, 21 | 13. Washer Retainer | 26. Circlip |
| 410 x 160 fab shoe | 14. Roller Assy - Items 15, 16 | 27. Oil Seal |
| 410 x 180 fab shoe | 15. Roller | 28. Seal Holder |
| 7. Unlined Brake Shoe Assy - | 16. Roller Brush | 29. Washer Spacer |
| Items 8, 11, 12, 13, 14, 17, | 17. Roller Pin | 30. Washer Retainer 35 Dia |
| 18, 19, 21 | 18. Washer 17 Dia | 31. Circlip Ext. 34 |
| 410 x 160 fab shoe | 19. Circlip Ext. 17 | 32. Grease Nipple |
| 410 x 180 fab shoe | 20. Return Spring | |
| 8. Brake Shoe Unlined | | |
| 410 x 160 fab shoe | | |

TM SERIES PRO TRAILER AXLE



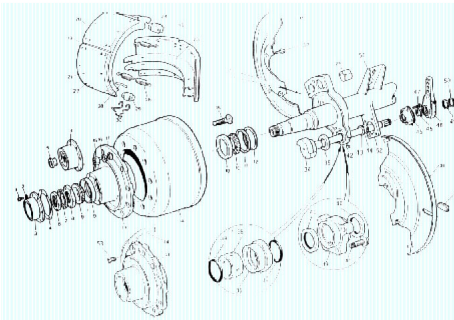
- | | | |
|---------------------------|------------------------------------|-------------------------------------|
| 1. Screw Hub Cap | Inner LH M20x1.5 | 31. Cover Dust Pair-L/Load |
| 2. Washer | Outer LH 1 1/8 UNF | 32. Screw Dust Cover |
| 3. Hub Cap Oil | Inner LH 3/4 UNF | 33. Plug Dust Cover |
| 4. Gasket Oil, | inner RH 3/4 UNF | 34. Camshaft |
| Grease | Nut Wheel Din | LH New Stepped Cam |
| 5. Plug Vent (oil) | Outer LH M30x1.5 | RH Old L/Load |
| 7. Washer | Outer RH 1 1/8 UNF | LH Old L/Load |
| 8. Nut | Nut Wheel LH BSF | RH Old, LH Old |
| 9. Bearing Outer | Inner RH M20x1.5 | 38. O-Ring |
| 10. Bearing Inner | 17. Cone Wheel-Outer Din | 39. Bush Bronze - New Stepped Cam |
| 11. Oil Seal-Oil-Grease | Inner BSF, Inner Din | 40. Washer Bevel - New Stepped Cam |
| 12. Wear Sleeve-Grease | 18. Bolts Wheel | 41. Circlip-Old, New Cam |
| 13. Hub Bolt -8, | 19. Shoe Brake Assy Lined-L/Load | 42. Fitting Grease - L/Load |
| 10 1/8, 10 O/B, | 20. Brake Lining Cam End-L/Load | 43. Bearing Special |
| 10 285, 75, 8C, | 21. Rivets | 44. Screw |
| 10 L/Load, 8 L/Load | 22. Shoe Brake Assy Unlined-L/Load | 45. Washer |
| 14. Drum Brake | 23. Pin Anker | 46. Washer |
| 10 Bolt, L/Load, | 24. Bush Anker Pin | 47. Washer Bevel |
| 10 Bolt 1/8, 10 Bolt O/B, | 25. Spring Return-L/Load | 48. Stack Adjuster Manual |
| 8 Bolt, 8 Bolt L/Load | 26. Spring Retainer | 49. Washer |
| 10 Bolt 285, 75BC | 27. Pin Return Spring | 50. Washer Spacer |
| 15. Cap Nut, | 28. Roller Cam | 52. Bracket Brake - L/Load |
| Outer RH | 29. Clip Retaining Roller | 53. Bracket Cam Shaft Support-L/Loa |
| M30x1.5, | | 54. Bracket Air Chamber |
| Nut Wheel RH BSF, | | 55. Screw |

U22500 SERIES TRAILER AXLE



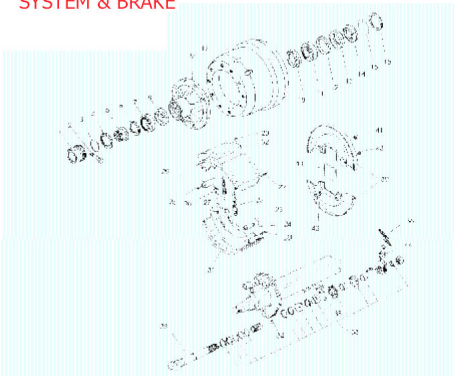
- | | | |
|-------------------------------------|-----------------------------------|-------------------------------|
| 1. Hub Cap | 22. 10 Stud 1.1/4" Mini | 54. O-Ring |
| 2. Hub Cap Grease Oil | 23. Cambolt | 55. Bush Outer |
| 3. Bolt Lock | 24. RH 420 Brake LH 420 Brake | 56. Screw |
| 4. Washer Lock | 25. Washer | 57. Washer Spring |
| 5. Nut Bearing Adjust | 26. O-Ring | 58. Washer |
| 6. Bearing Cap & Cone Outer | 27. Bush | 59. Bracket Cam |
| 7. Gasket Grease Oil | 28. Seal | 60. Screw |
| 8. Nut Wheel | 29. Bush | 61. Housing Spherical Bearing |
| 9. RH 7/8" BSF | 30. Nipple Grease | 62. O-Ring |
| 10. Sleeve RH 3/4x1.1/8" Budd | 31. Circlip | 63. Nipple Grease |
| 11. Cone Wheel Metric Outer | 32. Bracket Cam Bearing 420 Brake | 64. Bearing Spherical |
| 12. Dowel | 33. Bearing Spherical | 65. Washer Spring |
| 13. Nut Lock 7/8" BSF | 34. Cap Screw Spherical Bearing | 66. Nut |
| 14. Spacer Bush (Unbraked Axle) | 35. Washer | 68. Dust Cover Half Only |
| 15. Stud Wheel RH 7/8" BSF 2/ Wheel | 36. Sack Adjuster | 69. Plug Rubber |
| 16. LH 7/8" BSF 1/ Wheel | 37. Washer | 70. Screw |
| 17. RH 7/8" BSF 1/ Wheel | 38. Circlip | 71. Washer |
| 18. LH 7/8" BSF 1/ Wheel | 39. Bush | 72. Nut Required anywhere |
| 19. 22mm x 1.5 | 40. Spindle Brake 420 Brake | 73. Shoe & Lining Assy HD |
| 20. RH 3/4" Budd | 41. Pin Anchor | 74. Shoe Unlined HD |
| 21. LH 3/4" Budd | 42. Shoe & Lining Assy 420x180 | 75. Lining Anchor End |
| 22. Not required anymore | 43. Shoe Unlined 420x180 | 76. Rivets |
| 23. Hub 10 Stud 235mm PCD | 44. Lining Anchor End | 77. Lining Cam End |
| 24. 8 Stud 225mm PCD | 45. Rivet | 78. Circlip |
| 25. Hub 10 Stud 235mm PCD | 46. Lining Cam End | 79. Retainer |
| 26. 8 Stud 225mm PCD | 47. Pin | 80. Pin Anchor Pin |
| 27. Bearing 1 | 48. Roller | 81. Pin Anchor |
| 28. Cover Oil Seal (Unbraked Axle) | 49. Spring Retaining | 82. Bush Anchor Pin |
| 29. Drum Brake 420x180 | 50. Spring Release | 83. Lock Anchor |
| 30. 10 Stud 235mm | 51. Washer | 84. Spring Release |
| 31. 8 Stud 225mm | 52. O-Ring | 85. Screw Lock |
| 32. 8 Stud 225mm | 53. Bush Inner | 86. Pin Roller |
| | | 87. Roller |

TQ SERIES TRAILER AXLE



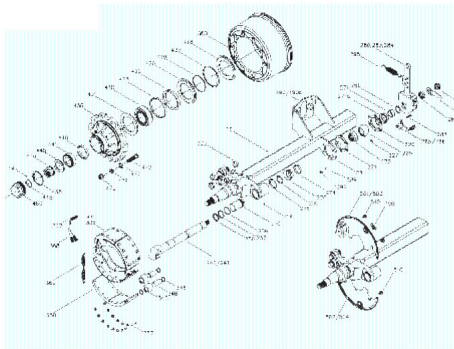
- | | | |
|------------------------|----------------------------|-----------------------------|
| 1. Hub Screw Cap | 13. Hub 10 Bolt 1/8 | Bolts Wheel Din Twin 1/8 |
| 2. Washer | 14. Hub 10 Bolt 0/B | Bolts Wheel Din Twin 0/B |
| 3. Hub Cap Oil | 15. Drum Brake 10 Bolt 1/8 | 19. Shoe Brake Assy Lined |
| 4. Hub Cap Grease | 16. Drum Brake 10 Bolt 0/B | 20. Brake Lining CAM End |
| 5. Gasket Oil | 17. Nut Wheel LH BSF | 21. Brake Lining Anchor End |
| 6. Gasket Grease | 18. Nut Wheel RH BSF | 22. Rivets |
| 7. Plug Vent (Oil) | 19. Nut Wheel Din | 23. Shoe Brake Assy Unlined |
| 8. Nut | 20. Nut Wheel Spigot Mount | 24. Pin Anchor |
| 9. Washer Lock Assy | 21. Cone Wheel Outer Din | 25. Bush Anchor Pin |
| 10. Nut Bearing Adjust | 22. Cone Wheel Inner Din | 26. Spring Return |
| 11. Bearing Adjust | 23. Cone Wheel Inner BSF | 27. Spring Retainer |
| 12. Bearing Inner | 24. Bolts LH BSF Twin 1/8 | |
| 13. Oil Seal (Oil) | 25. Bolts RH BSF Twin 1/8 | |
| 14. Oil Seal (grease) | 26. Bolts LH BSF Twin 0/B | |
| 15. Wear sleeve Grease | 27. Bolts RH BSF Twin 0/B | |

BPW ECO HUB SYSTEM & BRAKE



- | | | |
|-------------------------------|---|--|
| 1. Hub Cap | 22. Split Pin | 37. Camshaft Kit (0-rings) |
| 2. Bolt | 23. Return Spring | 38. Camshaft Repair Kit (Single side) |
| 3. Spring Ring | 24. Roller | 39. Dust Cover 120mm Dia. Axle Set Dust Cover 150mm Dia. Axle Set Seal 120mm Dia Seal 150mm Dia. |
| 4. Outer Circlip | 25. Retention Clip | 40. Seal 120mm Dia Seal 150mm Dia. |
| 5. Castle Nut | 26. Shaped Plate | 41. Plug/Seal (Non ABS slot) |
| 6. Washer | 27. Return Spring (Brake) | 42. Plug |
| 7. Outer Roller Bearing | 28. Plug | 43. Locking Screw |
| 8. Thrust Washer | 29. Brake Pin (420 x 1 B0, 1420 x 200) | 44. Slack Adjuster Manual (120/135/150/165/180/195/250 Holes) Slack Adjuster Automatic (Retro Kit) |
| 9. Hub (Including Spline Pin) | 30. Bush | 10. Axle Beam |
| 10. Dust Cover | 31. Brake Shoes incl 24,25 (With lining) | 26. Plate |
| 11. Inner Roller Bearing | 32. Brake Lining (Asbestos Free) | 190. Booster Bracket |
| 12. Ring | 33. Camshaft UH (625mm) Camshaft RH (625mm) Camshaft LH (721mm) Camshaft R/H H1 mm) | 210. Bush |
| 13. Lip Seal | 34. Grease Nipple | 215. Grease Nipple |
| 14. Thrust Washer | 35. Grease Nipple | Camshaft Holder |
| 15. Inner Circlip | 36. Return Spring (Slack Adjuster) | |
| 16. Exciter Ring | | |
| 17. Brake Drum | | |
| 18. Splined Pin For stud hubs | | |
| 19. Brake Drum | | |
| 20. Brake shoe Rivet | | |
| 21. Splined Pin | | |

BPW ECO PLUS SYSTEM



- | | | |
|---|----------------------------------|-----------------------------|
| 220. Bearing Box - for G/ Nip Bush Assy | 295. Return Spring | 437. Locking Ring |
| 255. Bush | 325. Locking Ring | 438. Ret. Ring |
| 227. Grease Nipple | 330. Brake Shoe Compl. | 440. Thrust Washer |
| 240. Camshaft LH | 335. Brake shoe w/o Lining | 441. Roller Bearing - Outer |
| 241. Camshaft RH | 345. Roller | 445. Washer |
| 250. Circlip | 346. Bolt | 446. Axle Nut |
| 252. Ring | 348. Ring | 447. Wedge Bolt |
| 256. O-Ring | 350. Brake Lining | 448. Locking Ring |
| 258. Seal 262. Washer | 357. Rivet | 460. Hub Cap |
| 266. Wear Indicator | 363. Return Spring | 472. Wheel Stud |
| 268. Hex Nut | 367. Positioning spring - str. | 472. Ring |
| 270. Seal | 368. Positioning spring - Hooked | 478. Spring Washer |
| 271. Bush | 380. Brake Drum | 479. Wheel Nut |
| 271. Seal | 422. Oil Seal | 501. Dust Cover |
| 272. Seal | 423. Ring | 502. Dust Cover |
| 274. Seal | 428. Seal | 503. Dust Cover |
| 280. Slack Adjuster | 430. Roller Bearing - Inner | 504. Dust Cover |
| 285. Distance Plate | 431. Grease Shield | 510. Lock Screw |
| | 432. Seal | 520. Plug |
| | 436. Hub | |