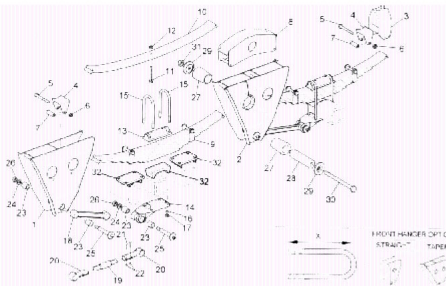
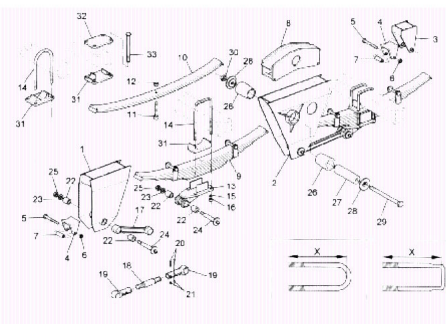


HF 'F' OVERSLUNG SUSPENSION



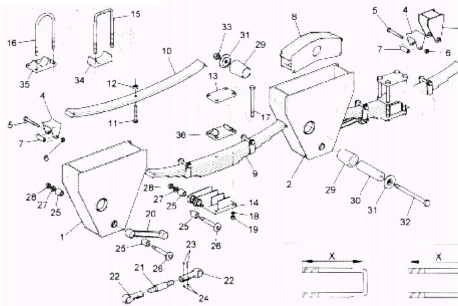
- | | | |
|---|-----------------------------|-----------------------------------|
| 1. Front Hanger -
Tapered Straight | 14. Axle Seat -
Sq Axles | 24. Washer 25 Dia |
| 2. Rocker Hanger | 15. U Bolt -
Dim X = 340 | 25. Radius Rod Pin |
| 3. Rear Hanger | 16. Washer 22 Dia | 26. Nyloc Nut M24 |
| 4. Wear Plate Assy -
C/w Bolt, Nut & Spacer Tube | 17. Nyloc Nut M22 | 27. Rocker Bush -
Rubber |
| 5. Bolt M16 x 150 | 18. Radius Rod - Fixed | 28. Rocker Spacer Tube |
| 6. Nyloc Nut M16 | 19. Adjuster | 29. Retainer Washer |
| 7. Spacer Tube | 20. Radius Rod End -
LH | 30. Bolt M20 x 250 |
| 8. Rocker | 21. Bolt M12 x 55 | 31. Nyloc Nut M20 |
| 9. Spring -
8 Blade | 22. Nyloc Nut M12 | 32. Spring Chair -
127 Sq Axle |
| 9. Blade | 23. Radius Rod Bush | 127 Dia Axle |
| 10. Main Blade Set -
8 Blade | | 105 Sq Axle |
| 11. Centre Bolt M14 x 145 | | 112 Sq Axle |
| 12. Nut M14 | | |
| 13. Saddle | | |
- Obsolete
Strongback
Replaced by Saddle**

HF 'J' OVERSLUNG SUSPENSION



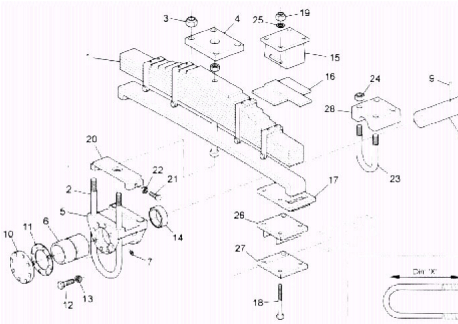
- | | | |
|---|--|--|
| 1. Front Hanger -
Tapered -
410mm High (old) | 10. Main Blade Set -
9 Blade | 24. Radius Rod Pin |
| Straight -
410mm High (old) | 11. Centre Bolt M14 x 145 | 25. Nyloc Nut M24 |
| 395mm High (new) | 12. Nut M14 | 26. Rocker Bush -
Rubber |
| 2. Rocker Hanger -
410mm High (old) | 13. Axle Seat | 27. Rocker Spacer Tube |
| 480mm High (new) | 14. U Bolt -
127 Sq USA Axle -
Dim X = 335 | 28. Retainer Washer |
| 3. Rear Hanger -
240mm High (old) | 15. Washer 22 Dia | 29. Bolt M20 x 250 |
| 312mm High (new) LH | 16. Nyloc Nut M22 | 30. Nyloc Nut M20 |
| 312mm High (new) RH | 17. Radius Rod End -
LH | 31. Spring Chair -
127 Sq Axle |
| 4. Wear Plate Assy -
C/w Bolt, Nut & Spacer tube | 18. Radius Rod End -
RH | 127 Dia Axle |
| 5. Bolt M16 x 160 | 19. Adjuster | 105 Sq Axle |
| 6. Nyloc Nut M16 | 20. Bolt M12 x 55 | 112 Sq Axle |
| 7. Spacer Tube | 21. Nyloc Nut M12 | 32. Upper Clamp Plate -
105, 112 Sq Axle |
| 8. Rocker | 22. Radius Rod Bush | 33. Bolt |
| 9. Spring - 8 Blade, 9 Blade | 23. Washer | 105, 112 Sq Axle -
8 Bl Spring M22 x 325
9 Bl Spring M22 x 350 |

HF 'L' UNDERSLUNG SUSPENSION



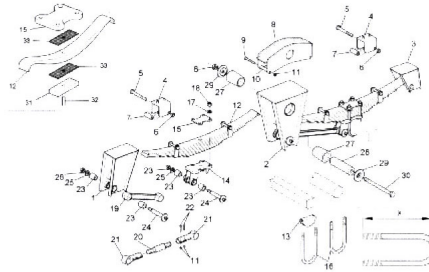
- | | | |
|---|--|--|
| 1. Front Hanger -
Tapered Heavy Duty 8mm Plate -
LH / RH
Straight, Light Wt 6mm Plate -
LH / RH | 10. Main Blade Set -
8 Blade 14mm Thk
9 Blade 16mm | 22. Radius Rod End - LH / RH |
| 2. Rocker Hanger Tapered -
Heavy Duty LH 8mm
Heavy Duty RH 8mm
Light Wt LH 6mm
Light Wt RH 6mm | 11. Centre Bolt M14 x 145
12. Nut M14 | 23. Bolt M12 x 55 |
| 3. Rear Hanger -
Heavy Duty LH 8mm
Heavy Duty RH 8mm
Light Wt LH 6mm
Light Wt RH 6mm | 13. Upper Clamp Plate -
105, 112, 130 Axle | 24. Nyloc Nut M12 |
| 4. Wear Plate Assy -
C/w Bolt, Nut & Spacer Tube | 14. Axle Seat - LH / RH | 25. Radius Rod Bush |
| 5. Bolt M16 x 150 | 15. U Bolt -
127 Sq USA Axle -
Dim X = 335 | 26. Radius Rod Pin |
| 6. Nyloc Nut M16 | 16. U Bolt -
127 Round Axle -
Dim X = 320 | 27. Washer |
| 7. Spacer Tube | 17. Bolt M22 -
127 Sq USA Axle | 28. Nyloc Nut M24 |
| 8. Rocker | 18. Washer 22 Dia | 29. Rocker Bush -
Rubber |
| 9. Spring - 8 Blade / 9 Blade | 19. Nyloc Nut M22 | 30. Rocker Spacer |
| | 20. Radius Rod - Fixed | 31. Retainer Washer |
| | 21. Adjuster | 32. Nyloc Nut M20 |
| | | 34. Chair -
127 Sq USA Axle |
| | | 35. Chair -
127 Round Axle |
| | | 36. Chair -
105 Sq Axle
112 Sq Axle
130 Sq Axle |

HF 'H2' TANDEM BOGIE SUSPENSION



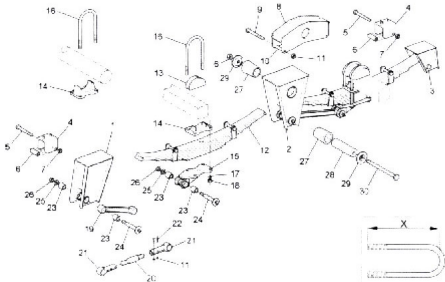
- | | | |
|--|--|--|
| 1. Spring -
Std Duty 15 Blade
Heavy Duty 12 Blade | 9. Locating Pin -
Dia 16 x 30 | Dim X = 185
Dim X = 215 |
| 2. U Bolt M30
Dim X = 460
Dim X = 470 | 10. End Plate | 24. Nyloc Nut M24 |
| 3. Nyloc Nut M30
Dim X = 470 HTen | 11. End Gasket | 25. Washer Die 22 |
| 4. Clamp Plate | 12. Setscrew M4 x 30 | 26. Upper Clamp Plate -
105 Sq Axle |
| 5. Pivot Block | 13. Washer Spring Dia 14 | 112 Sq Axle |
| 6. Pivot Bush -
Std Duty - Nylon
Heavy Duty - Bronze | 14. Oil Seal | 127 Sq Axle |
| 7. Grease Nipple | 15. Spring Hood | 27. Lower Clamp Plate -
105 Sq Axle |
| 8. Cross Shaft -
Std Duty
Heavy Duty
(HD Identified by '2'
stamped on end) | 16. T-Rubber | 112 Sq Axle |
| | 17. Slotted Plate | 127 Sq Axle |
| | 18. Bolt - Spring Hood -
105 Axle M22 x 340
112 Axle M22 x 350
127 Axle M22 x 380 | 28. Bogie Mounting Block |
| | 19. Nyloc Nut M22 | 29. Main Blade Set |
| | 20. Bogie Adjuster | 30. Centre Bolt M14 x 305
C/w M14 Nut |
| | 21. Setscrew M20 x 70 | |
| | 22. Nut M20 | |
| | 23. U Bolt M24 -
Dim X = 185
Dim X = 215 | |

SW 'SWPT' OVERSLUNG SUSPENSION



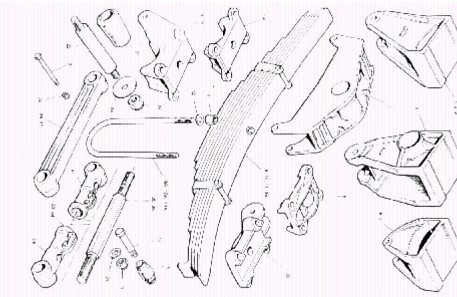
- | | | |
|------------------------------|------------------------|------------------------------|
| 1. Front Hanger | 92 Sq Axle | 26. Nyloc Nut M24 |
| 2. Rocker Hanger | 15. Top Plate - | 27. Rocker Bush - |
| 3. Rear Hanger | 127 Dia Axle | 27. Rubber Polyurethane |
| 4. Slipper Liner (80mm, 90m) | 92 x 105 Sq Axle | 28. Rocker Spacer Tube |
| 5. Bolt M20 x 140 | 16. U Bolt - | 29. Retainer Washer |
| 6. Nyloc Nut M20 | 127 Dia Axle | 30. Bolt M20 x 250 |
| 7. Spacer Tube | Dim X = 325 | 31. Spring Packer - |
| 8. Rocker | Dim X = 355 | 8 & 9 Blade |
| 9. Bolt M12 x 120 | 92 x 105 Sq Axle | 3 & 1 Blade |
| 10. Spacer Tube | Dim X = 371 | 32. Dowel - Spring Packer - |
| 11. Nyloc Nut M12 | Dim X = 401 | 8 & 9 Blade |
| 12. Spring - | 17. Washer 22 Dia | 3 & 1 Blade |
| 8 Blade | 18. Nyloc Nut M22 | 33. Delrin Liner - |
| 9 Blade | 19. Radius Rod - Fixed | 8 & 9 Blade |
| 3 Blade | 20. Adjuster | 3 & 1 Blade |
| 1 Blade | 21. Radius Rod End | |
| 13. Strongback - | LH / RH | Obsolete Rocker Pin 850375 |
| 127 Dia Axle | 22. Bolt M12 x 55 | Replaced by - Bolt M20 x 250 |
| 92 Sq & 105 Sq Axle | 23. Radius Rod Bush | Rocker Spacer Tube |
| 14. Spring Chair - | 24. Radius Rod Pin | Retainer Washer |
| 127 Dia 105 Sq Axle | 25. Washer 25 Dia | Nyloc Nut M20 CT |

SW 'SWPT' UNDERSLUNG SUSPENSION



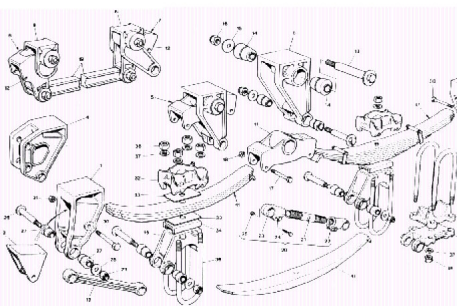
- | | | |
|-------------------|------------------------|------------------------------|
| 1. Front Hanger | 15. Spring Chair | 25. Washer 25 Dia |
| 2. Rocker Hanger | 127 Dia Axle | 26. Nyloc Nut |
| 3. Rear Hanger | 92sq & 105sq Axle | 27. Rocker Bush - |
| 4. Slipper Liner | 16. U Bolt - | 27. Rubber Polyurethane |
| 5. Bolt M20 x 140 | 127 Dia Axle | 28. Rocker Spacer Tube |
| 6. Nyloc Nut M20 | Dim X = 355 | 29. Retainer Washer |
| 7. Spacer Tube | 92sq & 105sq Axle | 30. Bolt M20 x 250 |
| 8. Rocker | Dim X=401 | 31. Delrin Liner (Not Shown) |
| 9. Bolt M12 x 120 | 17. Washer 22 Dia | 8 & 9 Blade |
| 10. Spacer Tube | 18. Nyloc Nut M22 | 3 Blade |
| 11. Nyloc Nut M12 | 19. Radius Rod - fixed | |
| 12. Spring - | 20. Adjuster | Obsolete |
| 8, 9, 3 blade | 21. Radius Rod End - | Rocker Pin 850375 replaced |
| 13. Strongback | LH / RH | By Bolt M20 x 250 |
| 127 Dia Axle | 22. Bolt M12 x 55 | Rocker Spacer Tube |
| 92sq & 105sq Axle | 23. Radius Rod Bush | Retainer Washer |
| 14. Axle Seat | 24. Radius Rod Pin | Nyloc Nut M20 |

PRO 'T' SERIES SUSPENSION



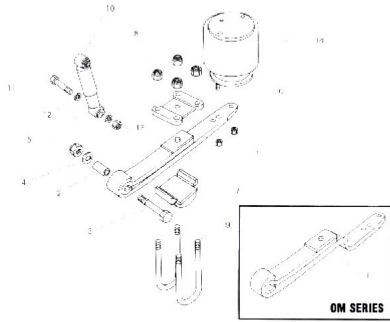
- Assembly Equaliser (Items 4, 5, 21, 22, 23, 24, 31 & 32)
 - Assembly Right Torque Arm Forward (Items 18 & 29)
 - Assembly Right Torque Arm Rear (Items 18, 30)
 - Assembly Adjustable Torque Arm Forward (Items 18, 25, 27, 28, 33 & 34)
 - Assembly Adjustable Torque Arm Rear (Items 18, 26, 27, 28, 33 & 34)
- | | |
|--|--|
| 1. Front Hanger | 13. Road Spring U Bolt Nut |
| 2. Front Hanger Bracket - Heat Treated | 14. Spring Seat - Standard 68 25 |
| 3. Front Hanger - Towing | 15. Spring Seat - Low 25 4 |
| 4. Equaliser Bracket - Standard | 16. Spring Seat - Underslung Axle |
| 5. Equaliser | 17. Torque Arm Bolt |
| 6. Rear Hanger Bracket - Standard | 18. Torque Arm Bush |
| 7. Rear Hanger Bracket - Heat Treated | 19. Torque Arm Bolt Nut |
| 8. Top Plate | 20. Torque Arm Bolt Washer |
| 9. Road Spring B Leaf | 21. Equaliser Bush |
| 9. Road Spring U Bolt | 22. Equaliser Shaft |
| 10. Road Spring 9 Leaf | 23. Equaliser Shaft Washer |
| 10A Road Spring U Bolt | 24. Equaliser Shaft Nut |
| 11 Road Spring 10 Leaf | 25. Adjustable Torque Arm Screw (Fwd Short) |
| 11A Road Spring U Bolt | 26. Adjustable Torque Arm Screw (Rear Long) |
| 12. Road Spring U Bolt Washer | 27. Adjustable Torque Arm End (RH Thread) |
| | 28. Adjustable Torque arm end (LH Thread) |
| | 29. Rigid Torque Arm (Fwd Short) |
| | 30. Rigid Torque Arm (Rear Long) |
| | 31. Equaliser and Rear Hanger Bracket Bolt |
| | 32. Equaliser and Rear Hanger Bracket Bolt Nut |
| | 33. Adjustable Torque Arm End Bolt |
| | 34. Adjustable Torque Arm End Bolt Nut |
| | 35. Tj Arm Mounting Bracket - Underslung Axle |
| | 36. Road Spring Short 10 Leaf - Centre |

PRO SMT SUSPENSION



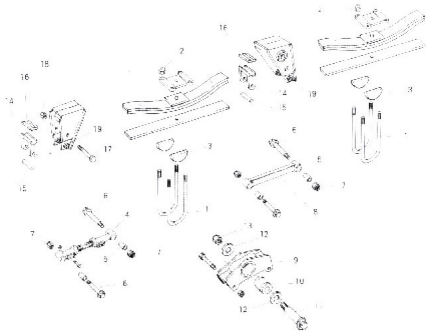
- | | | |
|--------------------------------------|-------------------------------------|----------------------------|
| 1. Front Hanger Bracket | 20B Adj. Torque Arm Assy - W/Spread | 35. Spring Seat (26mm) |
| 2. Wear Insert | 20C Adj.Tj/Arm Assy - Underslung | 35. Spring Seat (51mm) |
| 3. Rear Hanger Bracket | 21A Adj.Torque Arm Screw | 36. U Bolt - Standard |
| 4. Front Drawbar Bracket | 21B Adj.Torque Arm Screw | 36. U Bolt - Underslung |
| 5. Equaliser Assy - Close Coupled | 21C Adj.Torque Arm Screw | 37. U Bolt Washer |
| 7. Rear Equaliser Assy - W/Spread | 22A Adj.Torque Arm Assy - LH | 38. U Bolt Nut |
| 8. Equaliser Bracket - Close Coupled | 22B Adj.Torque Arm Assy - RH | 39. Torque Arm Mounting F |
| 9. Fwd Equaliser Brkt - W/Spread | 23A Adj.Torque Arm End - LH | Underlug |
| 10. Rear Equaliser Brkt - W/Spread | 23B Adj.Torque Arm End - RH | 40. Spring Seat - Underlug |
| 11. Equaliser - Close Coupled | 24. Clamp Bolt | 41A Spring Assy - 3 Leaf |
| 12. Equaliser - Wide Spread | 25. Clamp Bolt Nut | 41B Spring Assy - 3 Leaf - |
| 13. Equaliser Bolt | 26. Torque Arm Bolt | Tridem Centre |
| 14. Equaliser Bush | 27. Torque Arm Bush | 41C Spring Assy - 8 Leaf |
| 15. Equaliser Bush Clamp Washer | 28. Torque Arm Bolt Washer | 41D Spring Assy - 8 Leaf - |
| 16. Equaliser Bolt Lockout | 29. Torque Arm Bolt Lockout | Tridem Centre |
| 17. Equaliser Rebound Bolt | 30. Wear Insert Bolt | 41 Spring Single Taper Lee |
| 18. Equaliser Rebound Bolt Nut | 31. Wear Insert Bolt Lockout | 41 Spring Single Taper Lee |
| 19A Rigid Torque Arm (464) | 32. Top Plate | Tridem Centre |
| 19B Rigid Tj Arm-Wide Spread (699) | 33. Delrin Liner | |
| 19C Rigid Tj Arm-Wide Spread (381) | 34. Spacer Block (25mm) | |
| 19D Rigid Tj Arm-Underslung (436) | 34. Spacer Block (70mm) | |
| 20A Adj.Tj/Arm Assy (498-441) | 34. Spacer Block (45mm) | |

BPW AIR SUSPENSION - O, OM, OT SERIES



- O-SERIES
1. Leaf Spring
 2. Bush
 3. Bolt
 4. Washers
 5. Lock Nut
 6. Spring Plate
 7. Segment
 8. Lock Nut
 9. U-Bolt
 10. Shock Absorber
 11. Mounting Bolt
 12. Washer
 13. Lock Nut
 14. Air Spring

BPW MECHANICAL SUSPENSION



- | | | |
|--|---------------------|-------------|
| 1. U Bolt | 8. Torque arm Fixed | 17. Bolt |
| 2. U Bolt Nut | 9. Equaliser | 18. Locknut |
| 3. Segment | 10. Bush Equaliser | 19. Bush |
| 4. Torque Arm - adjustable
Complete unbushed | 11. Bolt Equaliser | |
| 5. Bush - torque arm | 12. Washer | |
| 6. Bolt (torque arm)
150 x 30mm
Bolt (torque arm)
170 x 30mm
Bolt (torque arm)
190 x 30mm | 13. Lock Nut | |
| 7. Locknut (Torque arm) | 14. Bracket | |
| | 15. Tube | |
| | 16. Slide | |

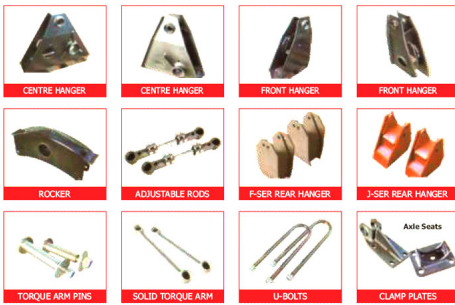
SUSPENSIONS



Automann suspension are strong, robust and long lasting... the idea suspension for the rugged African conditions. Our suspensions are available in over-slung and underslung, in 8 blade or 9 blade spring packs. **Automann** suspension are strong, robust and long lasting... the idea suspension for the rugged African conditions. Our suspensions are available in over-slung and underslung, in 8 blade or 9 blade spring packs. **Automann** suspension are supplied standard with Rubber Torque Rod and Rocker Bushes, but also available in our suspension programme are Polyurethane Torque Rod and Rocker Bushes in clear, to cater for the more rugged conditions. The Torque Rod and Rocker Pins are of En9 Grade.

With **Automann** Suspension, you are guaranteed quality and reliability and excellent after sales service....so next time you fit a suspension, think **Automann**... we won't let YOU down!

SUSPENSION PARTS



Torque Arm Bushes



Rocker Bushes

